

HS118v2 IP 话机快速操作指南



注意：查询本话机 IP 地址方法为在待机状态下按“*1*1*1”则可查询到本话机 IP 地址。

LEDs

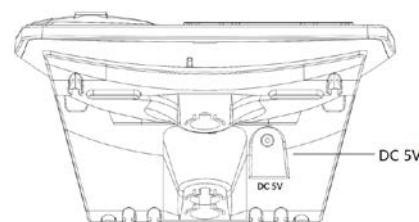
表 1 线路键

LED 灯状态	描述
红色闪烁	对应线路有来电正在呼入
红色常亮	对应线路摘机且正在进入正常通话状态

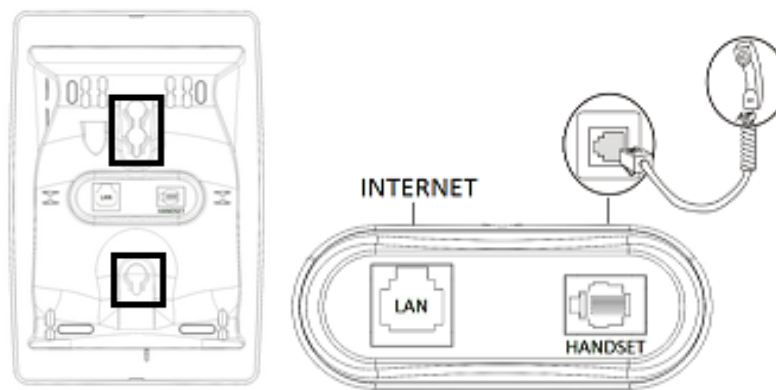
表 2 状态灯（话机右上角）

LED 灯状态	描述
红色闪烁	有来电正在呼入
红色常亮	有未接电话，或话机处于非空闲状态

安装支架、话机接入



1-1



发出呼叫

您可以摘机或按下**免提键**来进行一个呼叫。

- **直接呼叫**：直接拨打号码，然后按**#键**；
- **重拨**：按**重拨键**以拨打最近一个拨出的号码；

应答呼叫

- **直接应答**：您可以简单地摘机进行一个呼叫的应答，当然也可以按**免提键**进行；

通话闭音

实现通话闭音：闭音(MUTE)键

- **闭音键**：在通话中按下**闭音键**，此时对方无法听到闭音端的声音，需要恢复让对方听到，则再次按下**闭音键**，双方通话恢复正常。

呼叫保持与恢复

- 如果您想保持一个通话，只需按下**保持键**。
- 如果您想恢复保持的通话，再按下**保持键**则可恢复通话。

音量调节

您可以使用音量键调节不同状态的话机音量。

话机状态	对应所调节音量
待机状态	振铃铃声音量
手柄摘机状态	手柄听筒音量
耳麦状态	耳麦输出音量

您可以通过以下方式调节对应的麦克风输入音量：

- 登陆 WEB，选择“话机设置”>“基本设置”>“音量设置”。

三方会议

您可以在一个通话中邀请第三方进行三方会议通话：

- 在通话过程中，按下**会议键**，拨打一个第三方号码，等第三方接通后，再按下**会议键**即可；
- 会议超过三方时，可使用多个话机级联成一个多方会议进行通话

*更多的详细内容请参考本话机的用户手册。您也可以通过访问话机的 Web 页面来进行更详细的参数配置。



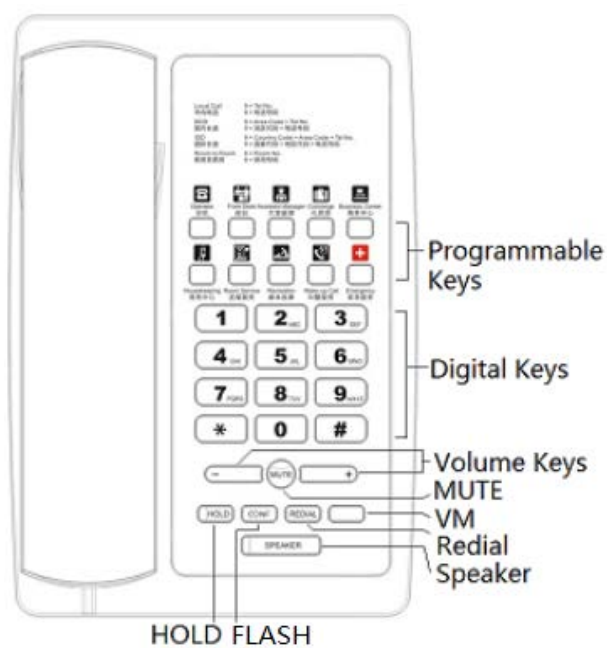
广州市亿景通信技术有限公司

地址：广州市天河区东圃镇黄村路 51 号粤安工业园 C 栋 4 楼

网址：<http://www.escene.cn>

邮箱：support@escene.cn

HS118v2 IP Phone Quick Operate Guide



Tips: Please check IP address by pressing the buttons ‘*1*1*2’ under idle mode.

LEDs

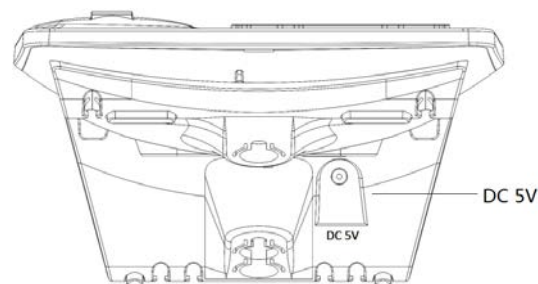
Table 1 Line Buttons

LED Status	Description
Red, flashing	There is an incoming call.
Red, steady	Pick up and enter normal call.

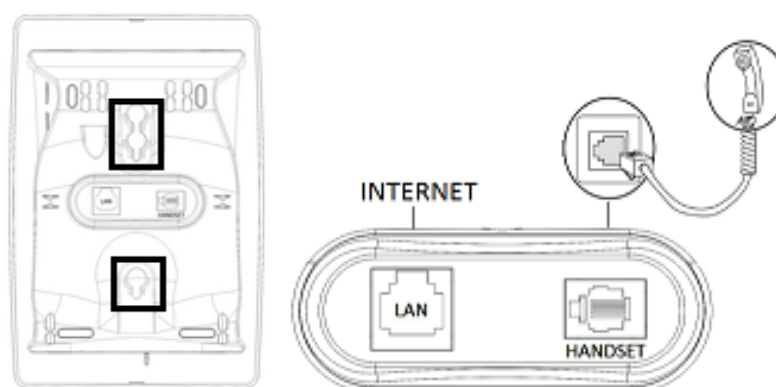
Table 2 Light-strip(top right corner)

LED Status	Description
Red, flashing	There is an incoming call.
Red, steady	Missed Calls, or phone busy.

Mounting bracket, telephone access



2-1



Placing a Call

You can pick up the handset or press **Headset/Speaker** button to place a call.

- **Dial directly:** Dial number directly, then press # button;
- **Redial:** Press **Redial** button to dial the latest number;

Answering a Call

- **Answer directly:** You can answer a call by lifting the handset, or pressing the **Speaker** button;

MUTE

- Press **MUTE** button when talking, the voice will be mute on you side and other side cannot hear what you say. If you want to resume, just press again the mute button.

2-2

Hold & Resume

- If you want to hold an active call, you can press **Hold** button, and resume it by pressing again.
- You can switch to other lines and hold the active call by pressing **line** button of other lines, and resume it by pressing the **line** button of previous line.

Volume Adjustment

You can adjust the volume in different status with volume button.

Phone Status	Corresponding volume
Standby	Ring volume
Hook off	Handset volume
Hand-free	Speakerphone volume

You can adjust the corresponding microphone input volume as follow:

- Log in WEB management, select “Phone setting”>“Basic setting”>“Volume setting”.

3-way Conference

You can invite the third party into a conference during an active call:

- Press **Conference** button in an active call, dial the third party number, and press **Conference** button again when you have connected the third party.
- When the number of conference members is more than 3, you can make more phones to join the conference and it will become a multiparty conference.

***For more detailed information, you can refer to the corresponding User Manual.**



Address: Floor 4 Building C YueAn Industrial Park No.54 Huangcun Road Tianhe District Guangzhou China
Postal Code: 510665
E-mail: support@escene.cn
<http://www.escene.cn/en>